



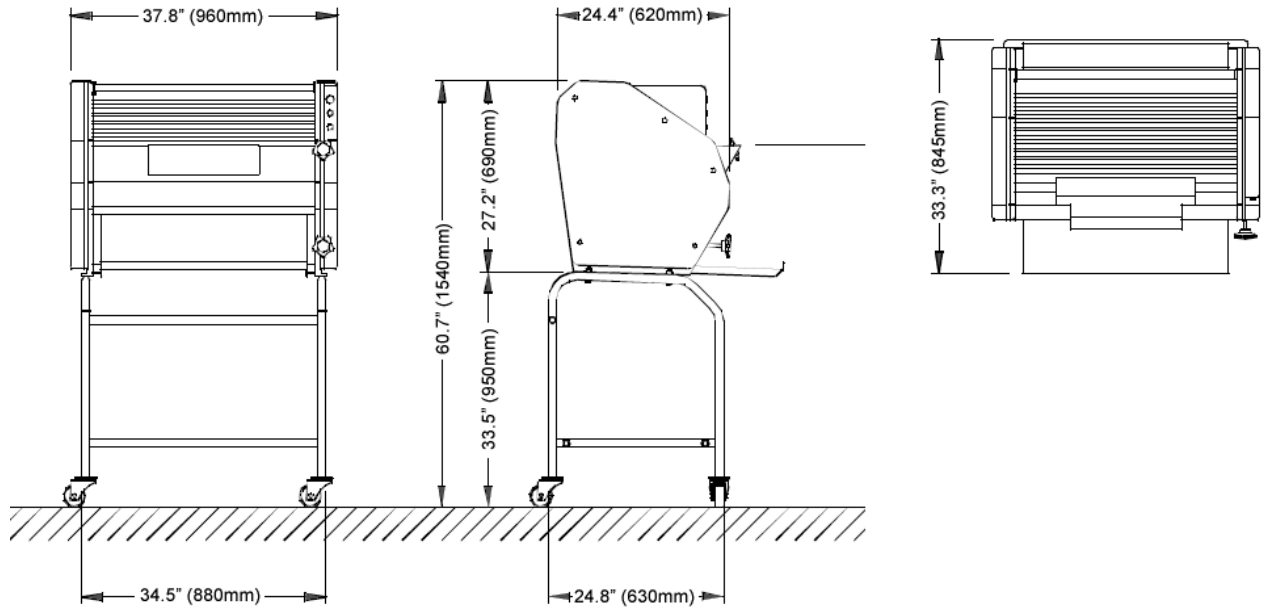
The First Name In Bakery

Adamatic AFBM French Bread Moulder

STANDARD FEATURES:

- Dough Capacity 2.8 oz. to 35 oz. (2.2 lbs.)
- Cast aluminum frame w/ABS case
- Cladding and in-feed chute epoxy painted
- Quiet operation
- Dual water repellant treated 100% wool moulding belts
- Right hand mounted control panel
- Safety touch bar
- 1500 pieces per hour production capability
- Easy to store w/swivel casters
- Easy to clean
- Cord included (no plug)
- Stand w/Casters included
- One year parts/labor warranty





| Model | AFBM |
|-------------------------------------|------------------|
| Dimensions | |
| Width | 40" (1016 mm) |
| Depth including discharge chute | 40.5" (1029 mm) |
| Loading height (with stand) | 53" (1346 mm) |
| Discharge chute height (with stand) | 34.5" (876 mm) |
| Height (overall) | 60.75" (1543 mm) |
| Net weight | |
| | 290 lbs (132 kg) |
| Electrical | |
| Volts | 240V-60-3 |
| Amps | 1.3 A |
| Watts | 550 W |
| Dough capacity | |
| Minimum | 2.8 oz (80 g) |
| Maximum | 35 oz (994 g) |
| Production output | |
| Pieces per hour | 1500 |