



The First Name In Bakery

Division of

Belshaw

ADAMATIC

Bakery Group

Adamatic ANSE/R Removable Bowl Spiral Mixer

MODELS:

- ANSE/R-200 (220 lbs flour)
- ANSE/R-300 (300 lbs flour)

STANDARD FEATURES:

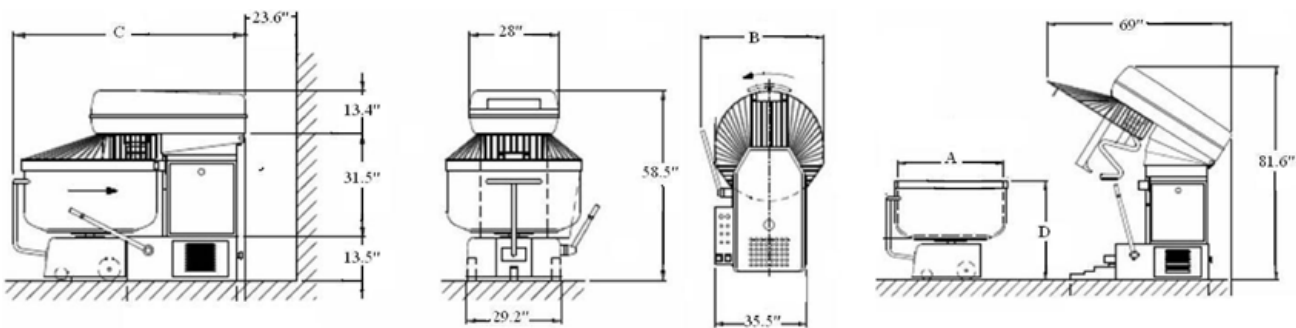
- Stainless steel arm, dividing plate and bowl
- Food grade epoxy body w/casters
- Stainless steel safety guard
- Programmable electronic control panel w/manual backup controls
- Removable bowl on cart
- Smooth easy to clean surfaces
- Reverse bowl direction
- Power cord (no plug)
- One year parts/labor warranty

OPTIONAL:

- Additional bowls
- Stainless Steel Exterior



Model: ANSE-R-300
(with optional s/s exterior)



Model	ANSE/R-200	ANSE/R-300
Dimensions		
Bowl diameter (A)	35.5" (902 mm)	41.2" (1046 mm)
Overall width including handle (B)	43" (1092 mm)	46" (1168 mm)
Overall depth (C)	76" (1930 mm)	81" (2057 mm)
Bowl height at top (D)	35" (889 mm)	34" (864 mm)
Overall Height	58.5" (1486 mm)	58.5" (1486 mm)
Capacity		
Flour (min)	11 lbs (5 kg)	16 lbs (7 kg)
Flour (max)	220 lbs (100 kg)	300 lbs (136 kg)
Dough (max)	352 lbs (160 kg)	556 lbs (253 kg)
Electrical		
Volts	220V-60-3	220V-60-3
Amps	23.9 A	32.1 A
Weight		
Net weight	2585 lbs (1175 kg)	2750 lbs (1250 kg)
Shipping Weight	2885 lbs (1311 kg)	3080 lbs (1400 kg)