

ADAMATIC

NDR DIVIDER/ROUNDER



NDR DIVIDER/ROUNDER 6/8 OR 8/10

Extremely accurate scaling and rounding.

Production speeds up to 30,000 pieces per hour.

No divider oil required.

STANDARD FEATURES:

- Speeds up to 50 strokes per minute.
- Fully adjustable hydraulic main piston, assuring accurate scaling with minimal dough punishment.
- Variable frequency speed control.
- Stainless steel covers... electrically interlocked for safety.
- Digital total stroke indicator and strokes per minute indicator.
- Central drive unit with electric clutch.
- Flattening roller, adjustable height, mounted on discharge belt.
- 7.5 H.P. drive.
- 1.5 H.P. rounding motor.
- Simple weight adjustment.
- BISSC approved. Easy to clean and maintain.
- UL listed control panel.
- NDR tool group.

DIVIDING RANGES: (6/8 Model).

- 4 pocket: 5 to 10 oz (140 to 280 gr).
- 6 pocket: 1 to 7 oz (28 to 196 gr).
- 8 pocket: 1 to 3 oz (28 to 84 gr).

DIVIDING RANGES: (8/10 Model).

- 4 pocket: 5 to 10 oz (140 to 280 gr).
- 6 pocket: 3 to 9 oz (84 to 252 gr).
- 8 pocket: 1 to 7 oz (28 to 196 gr).
- 10 pocket: 1 to 3 oz (28 to 84 gr).

OPTIONAL EQUIPMENT:

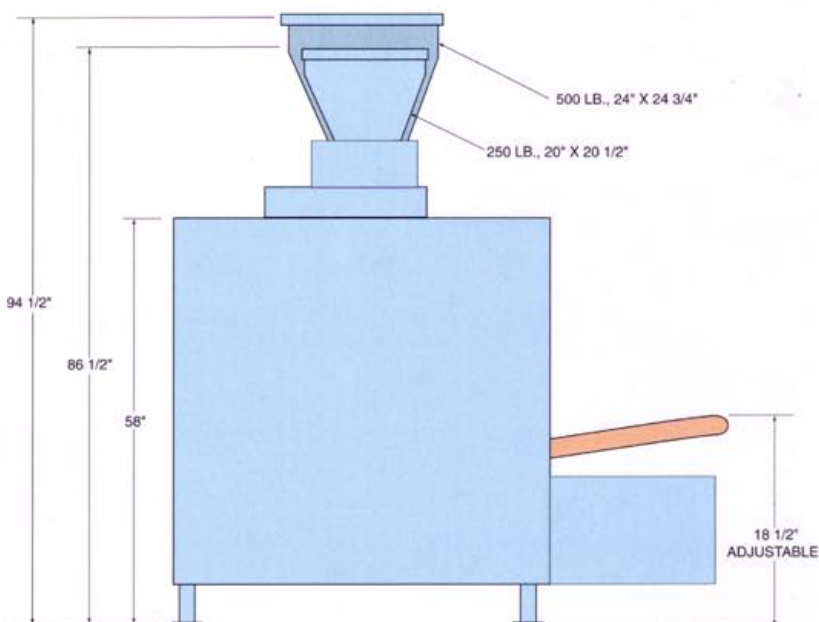
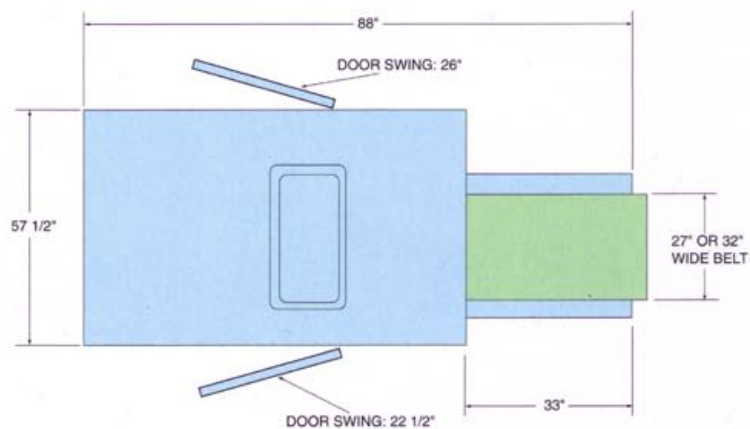
- Spreading belt discharge.
- Dough chunker (250 lb, 500 lb). NOTE: Required if other acceptable feeding system is not used.
- Variable frequency rounding control.

SPECIFICATIONS:

- Electrical - 220/60/3 (other voltages available).
- Total amps - 50 at 220 volts.
- Shipping weight - 4,850 lb.

Scaling and production weights may vary with different dough consistencies.

Manufacturer reserves the right to make changes in sizes and specifications.



Belshaw Adamatic Bakery Group

814 44th Street NW, Suite 103

Auburn, WA 98001

Phone: 800-578-2547 Fax: 206-322-5425

www.adamatic.com



©2008 Belshaw Adamatic Bakery Group

Automatic Roll Makeup Systems • Intermediate Proofer • Turret Head Roll Stampers • Sheeters • Molding Conveyor Tables Straightening
-Out Devices • Wetting & Seeding Units • Panners • Roll Divider / Rounders • ABS Roll-In Proofer • Double Rack Ovens